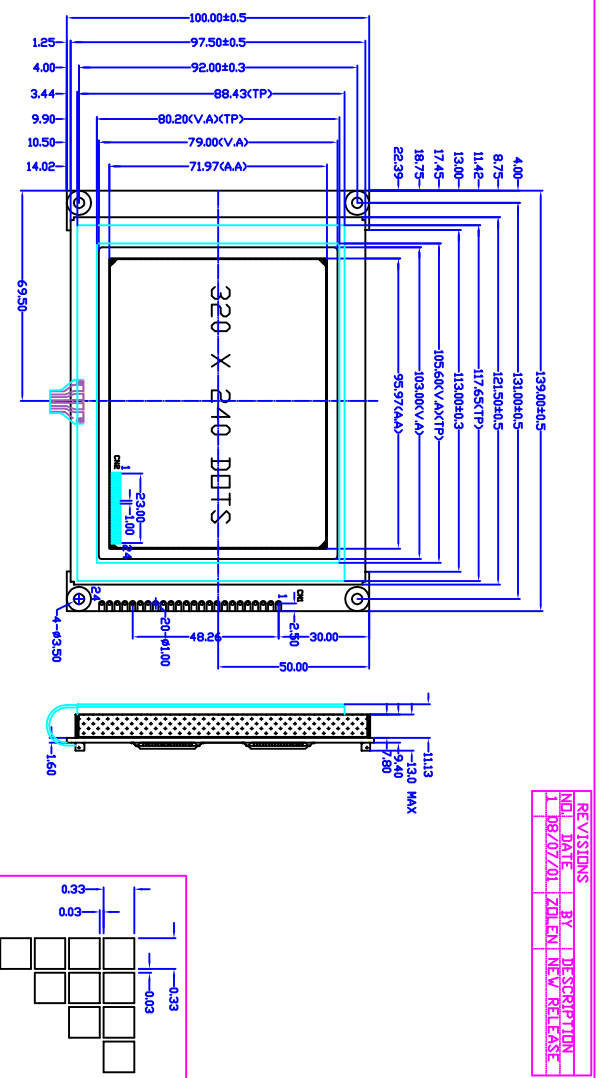
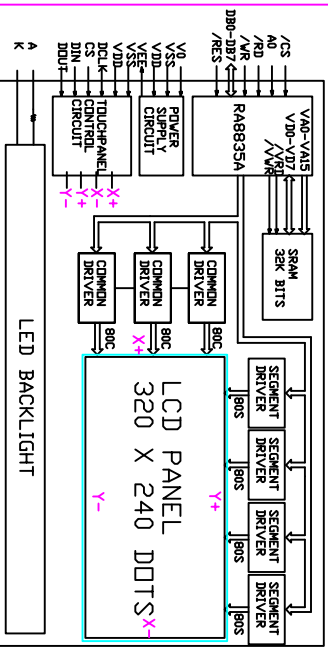


Outline Dimension



REVISEMENTS			
NO.	DATE	BY	DESCRIPTION
1	08/07/01	ZD.EN	NEW RELEASE

Block Diagram



Feature

- BUILT IN CONTROLLER: RA8835A
- POWER SUPPLY: 5.0V AND 3.0V AVAILABLE
- LCD TYPE: BLUE STN,NEGATIVE
- BACKLIGHT:SIDE LED BACKLIGHT
- COLOR OF BACKLIGHT: WHITE
- 1/240 DUTY CYCLE,1/6BIAS
- VIEWING ANGLE:6.0CLOCK
- TEMPERATURE RANGE:EXTENDED(-20--70)
- WHT TOUCHPANEL

Mechanical Data

ITEM	SPECIFICATION	UNIT
OVERALL SIZE	139.0V X 100.0H X 13.0T	MM
VIEWING AREA	103.0V X 79.0H	MM
DOT NUMBER	320 X 240	DOTS
DOT SIZE	0.5V X 0.27H	MM
DOT PITCH	0.50V X 0.30H	MM

Absolute Maximum Rating

ITEM	SYMBOL	MIN	MAX	UNIT
POWER SUPPLY VOLTAGE	VDD-VSS	0	6.5	V
POWER SUPPLY LCD DRV	VDD-V0	0	3.0	V
INPUT VOLTAGE	VI	V1	VDD	V

Electrical Characteristics

ITEM	SYMBOL	MIN	TYP	MAX	UNIT
VOLTAGE FOR LOGIC/VDD	VSS	4.75	5.0	5.25	V
SUPPLY CURRENT	IDD	-	12.0	-	mA
LCD OPERATING VOLTAGE	V0	-	2.4	-	V
VLTAGE	V0	-	2.30	-	V
INPUT VOLTAGE	VI	0.7VDD	-	VDD	V

CN2,CN3 Pin Assignment

NO.	SYMBOL	DESCRIPTION
1	VSS	GROUND
2	VDD	POWER SUPPLY FOR LOGIC AND LCD
3	V0	OPERATING VOLTAGE FOR LCD
4	/WR	WRITE SIGNAL
5	/RD	READ SIGNAL
6	/CE	CHIP SELECTION
7	A0	COMMAND/DATA SELECT
8	/RST	RESET SIGNAL (LOW EFFECTIVE)
9--16	DB0--DB7	DATA BUS
17	VEE	NEGATIVE VOLTAGE INPUT/OUTPUT
18	SK	CLOCK(TP)
20	DI	DATA INPUT
22	IRQ	PEN INTERRUPT(TP)
23	A	LED BACKLIGHT POWER SUPPLY(+)
24	K	LED BACKLIGHT POWER SUPPLY(-)

ALL DIMENSIONS ARE IN MM. TOLERANCE IS +/-0.2 UNLESS OTHERWISE NOTED.